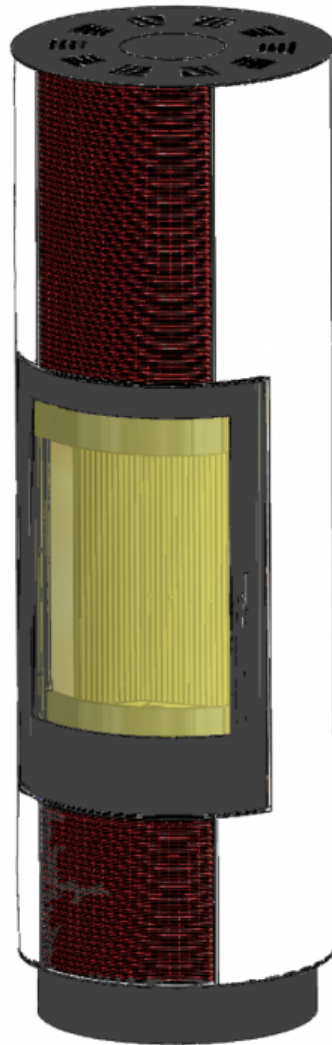


SMIDSON

Tuotteen tekninen ohjelehti (fi)

PORTO



Tekniset parametrit

Teho

| | |
|----------------------|-------|
| Nimellisteho (kW) | 6 |
| Säädeltävä teho (kW) | 3 - 8 |

Mitat

| | |
|--|------------------|
| Korkeus (1) x Leveys (2) x Syvyys (3) (mm) | 1583 x 515 x 530 |
| Halkojen enimmäispituus (mm) | 280 |

Paino

| | |
|-------------------|-----|
| Maksimipaino (kg) | 204 |
|-------------------|-----|

Ilma

| | |
|---|---------------|
| Keskitetty ilmanotto (7) / halkaisija (mm) | kyllä / ø100 |
| Toisioilman otto / Toisioilman ohjaus (10) | kyllä / kyllä |
| Ensiöilman ohjaus (9) | kyllä |
| Kolmannen vaiheen ilmanotto | kyllä |
| Ilmanoton automaattinen säätö | ei |
| Keskitetyn ilmanoton akselin korkeus (8) (mm) | 217 |

Parametrit

| | |
|--|-----------|
| Polttoaine: puu, puubriketit / ruskohiilibriketit [P-PB / RB] | |
| Polttoaineen kulutus nimellisteholla (kg/hod) [P-PB / RB] | 1,9 / 1,4 |
| Lämmitettävä tila (m ³) | 60 - 160 |
| Energiatehokkuus (%) [P-PB / RB] | 81 / 79 |
| Savupiipun minimiveto (Pa) | 12 |
| Palamistuotteiden lämpötila (°C) [P-PB / RB] | 217 / 245 |
| Palamistuotteiden massavirta (g/s) [P-PB / RB] | 7 / 6,5 |
| CO-pitoisuus 13% O ₂ (mg/Nm ³) [P-PB / RB] | 853 / 646 |
| NOx-pitoisuus 13% O ₂ (mg/Nm ³) [P-PB / RB] | 125 / 166 |
| OGC-pitoisuus při 13% O ₂ (mg/Nm ³) [P-PB / RB] | 61 / 31 |
| Pölypitoisuus při 13% O ₂ (mg/Nm ³) [P-PB / RB] | 25 / 29 |
| Jatkuva käyttö 24 tuntia | kyllä |
| Luukun moninkertainen suljin | kyllä |

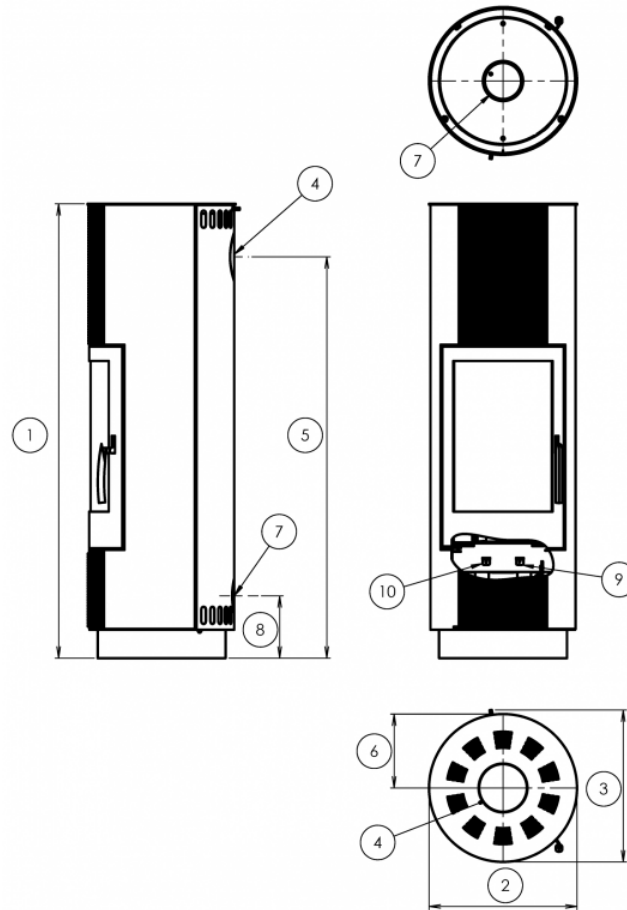
Savukanava

| | |
|---|------------|
| Savukanavan liitäntä (4) | ylä / taka |
| Savukanavan halkaisija (mm) | ø150 |
| Taemman savukanavan akselin korkeus (5) (mm) | 1406 |
| Ylemmän savukanavan akselin etäisyys (6) (mm) | 257,5 |

Kokeet

| | |
|-------------------|-------|
| EN 13 240/A2:2005 | kyllä |
| DIN+ | kyllä |
| BvG §15a | kyllä |
| BimSchV st.2 | kyllä |

Mittapiirustus

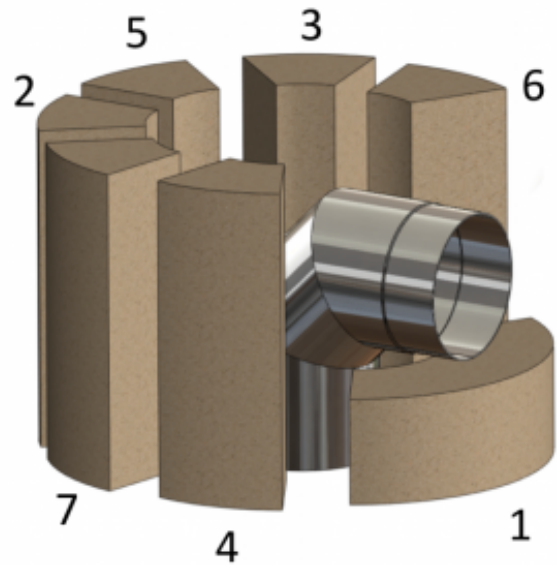
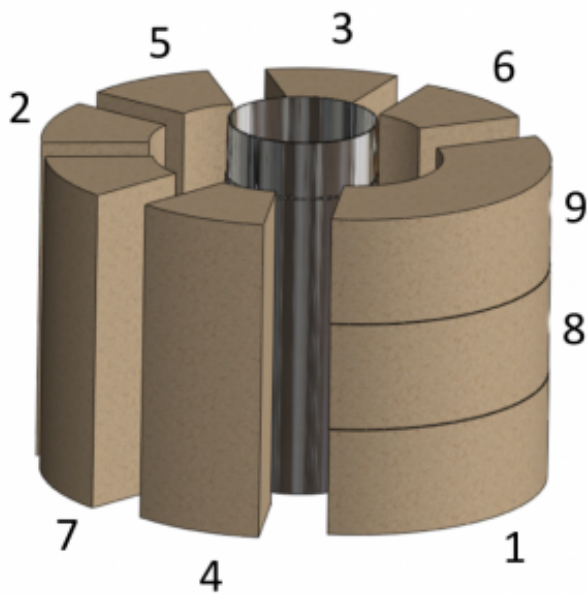


Lisätietoja

| | | |
|----|---|----------|
| 1 | korkeus | 1583 mm |
| 2 | leveys | 515 mm |
| 3 | syvyys | 530 mm |
| 4 | savukanava | ø150 mm |
| 5 | taemman savukanavan akselin korkeus | 1406 mm |
| 6 | ylemmän savukanavan akselin etäisyys | 257,5 mm |
| 7 | keskitetty ilmanotto | ø100 mm |
| 8 | keskitetyn ilmanoton akselin korkeus | 217 mm |
| 9 | ensiöilman ohjaus - taakse auki | |
| 10 | toisioilman ohjaus - taakse auki | |
| 25 | lämpimän ilman ulostulon ohjain - vasemmalle auki | |

AS ACCESSORIES, HEAT STORAGE BLOCKS CAN BE EMPLOYED.

During lighting and firing up the stove, we recommend closing the exhaust of heated air {control system item (25)} completely, or almost completely. When heating up the heat storage blocks, we recommend closing the exhaust of heated air, too. The purpose is faster heating of the stove to the operating temperature; in the same way, the heat storage blocks get heated more quickly, thus exploiting the accumulation of the maximum amount of heat.



Installation of heat storage blocks:

With the variant with connection of overtop smoke flue: mount the heat storage blocks solely in a cold stove with disconnected smoke flue.

- 1) remove the upper cover, lifting it in the front section of the stove. Next, move it forward and then upwards in such a way that you may pull the lever governing the exhaust of heated air out of the rear section of the stove.
- 2) insert the individual heat storage blocks (9 pieces) in the upper section of the stove according to the figure and the order of numbers in the figure.
- 3) install the upper cover of the stove back to its place in the reverse order than when you have removed it (point 1)
- 4) mount back the smoke flue.

With the variant with connection of rear smoke flue: mount the heat storage blocks solely in a cold stove.

- 1) remove the upper cover, lifting it in the front section of the stove. Next, move it forward and then upwards in such a way that you may pull the lever governing the exhaust of heated air out of the rear section of the stove.
- 2) in case that you have left the smoke flue connected, it is necessary to mount the block No. 1 first, inserting it under the smoke flue.
- 3) next, insert the remaining heat storage blocks in the upper section of the stove according to the figure and the order of numbers in the figure.
- 4) install the upper cover of the stove back to its place in the reverse order than when you have removed it (point 1)
- 5) if the smoke flue is not connected, do connect it.

Smidson Oy, Yrjonahontie 13, 21420 LIETO

Puh. 020 - 7413 123, Fax. 02-4870 305, sahkoposti: info@smidson.com, [http: www.linnatuli.com](http://www.linnatuli.com)