

ADA TUNNEL

Width 980 mm  
 Depth 685 mm  
 Height approx. 1850 mm  
 Weight 1800 kg

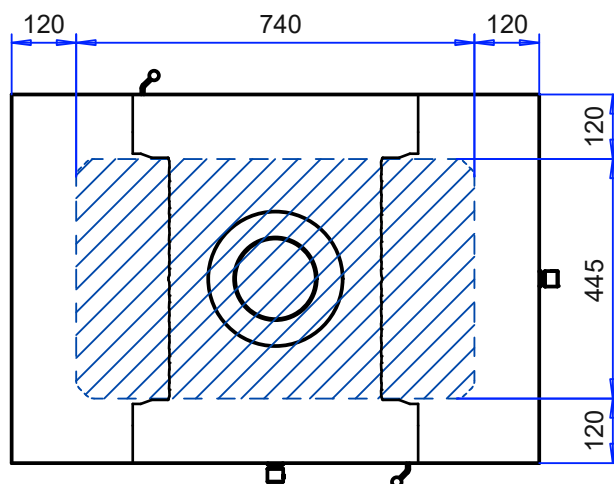
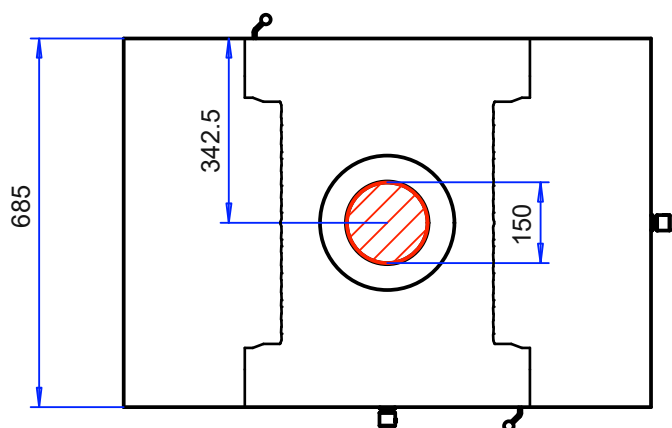
Fire Chamber  
 Depth 545 mm  
 Width 390 mm

Glass doors (installation dimensions)  
 Width 520 mm (520 mm)  
 Height 450 mm (450 mm)

Extra Layers  
 100 mm (100 kg)

Minimum Flue Connection  
 3/4 bricks or Ø 150 mm  
 (adapter's inner diam. 154 mm)

Red color:  
 Location of the flue connection  
 on top of the fireplace  
 Blue color:  
 Area for combustion air from below  
 (optional)



Part	Drawing number Item reference	Part or assembly group name	Standard or catalog	Shape, Dimension, Designation	Amount	Material	Qty
General tolerances		Scale 1:10	Product				
Mass 1800.0 kg			Ref				
Design 2018-11-30 JMS			Project Netherlands				
Check			Prev		New		
Acc			Ada_Tunnel_PL_laatikko_kok				